

NOTES:

1. Reinforcing bars shall be No. 4 bars at 18-inches on center embedded 2-inches clear of concrete surface and wired tightly at all intersections, unless otherwise shown.
2. All exposed concrete edges shall be chamfered 1-inch.
3. Dimensions may be varied to fit local conditions as directed by the Engineer.
4. No deductions in concrete shall be made for 2-inch crossbars.
5. Steel strap and pipe for crossbars are included in the structural steel grate quantities.
6. Slope catch basin floors 10:1 from all directions toward outlet pipe. If basin is used as a junction, shape flow line(s) to outlet pipe, and provide a 10:1 slope to flow line(s).
7. Pipe penetration may be placed in any wall. **Additional pipe penetrations limited to 24" max interior diameter pipe size.**
8. NPS = Nominal Pipe Size designator. See ASTM A53.
9. See detail DS-27 for details if connecting to HDPE pipe.
10. Contractor to verify "H" values as approved by the Engineer.

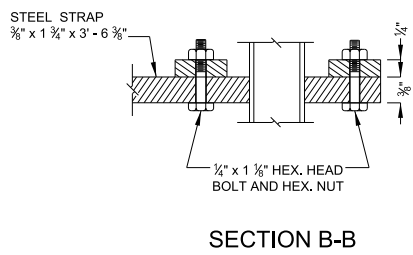
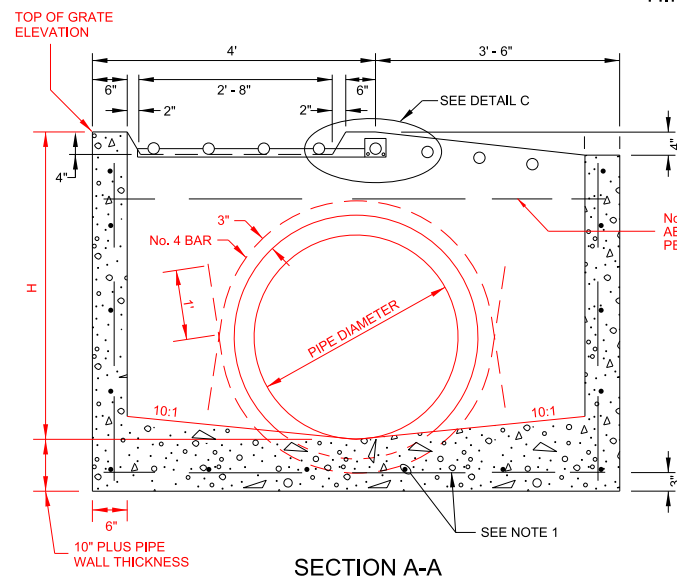
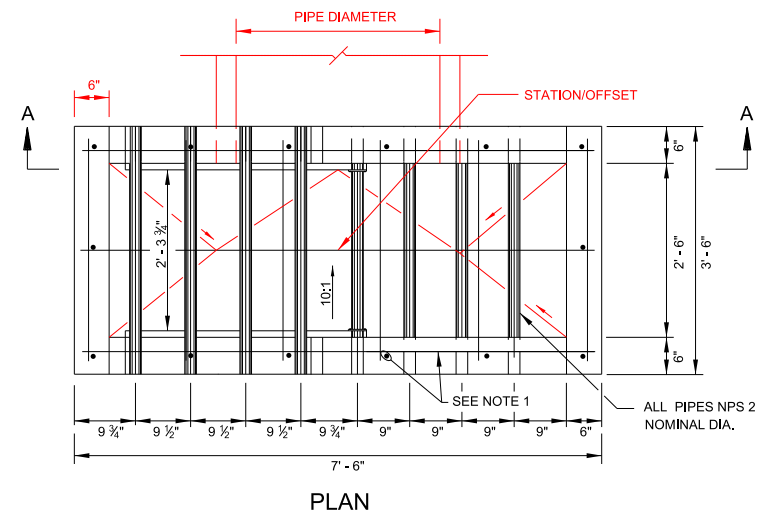
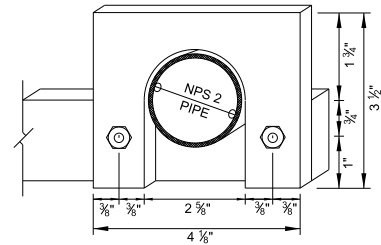
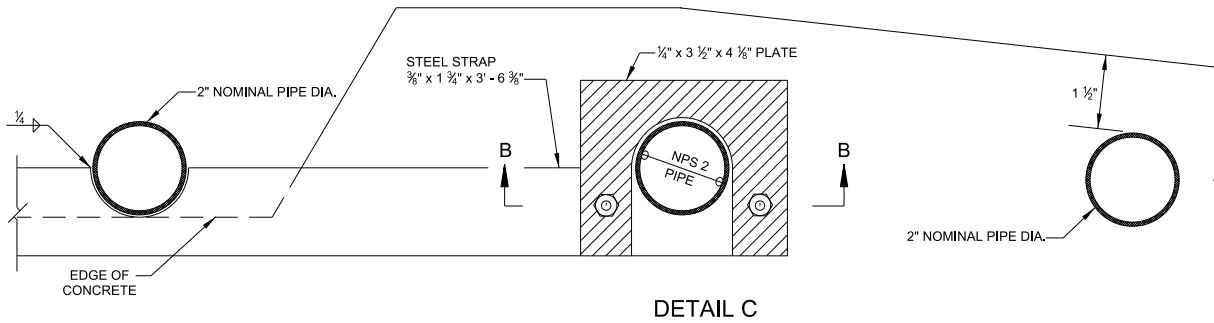


TABLE OF QUANTITIES

| PIPE SIZE | H MIN. | CONCRETE CU. YD. | REINF. STEEL LB. | STR. STL. GRATE LB. |
|-----------|--------|------------------|------------------|---------------------|
| 18" | 3'-1" | 1.89 | 81 | 117 |
| 24" | 3'-7" | 2.03 | 98 | 117 |
| 30" | 4'-2" | 2.20 | 102 | 117 |
| 36" | 4'-8" | 2.34 | 106 | 117 |
| 42" | 5'-3" | 2.50 | 123 | 117 |
| 48" | 5'-9" | 2.63 | 125 | 117 |